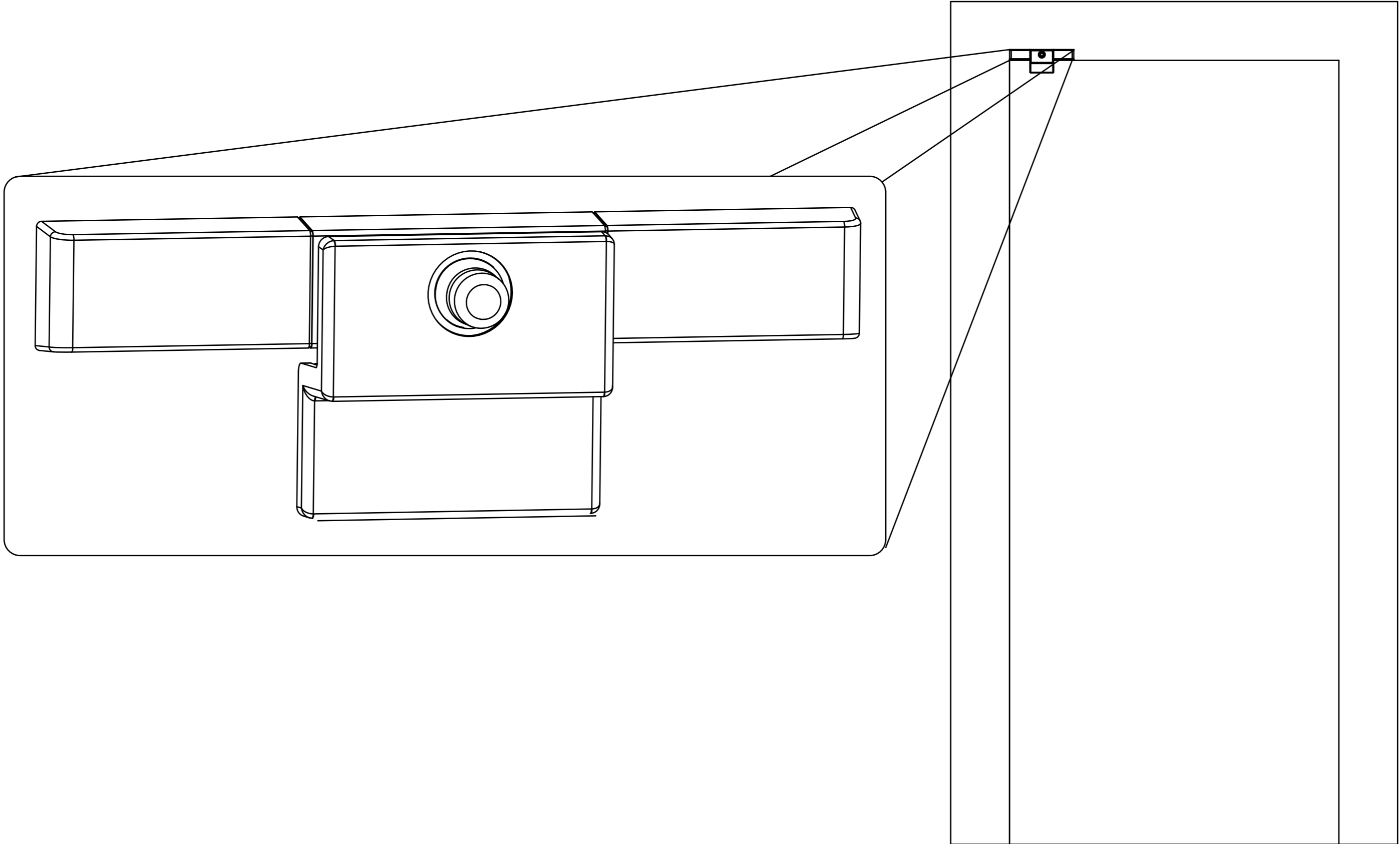
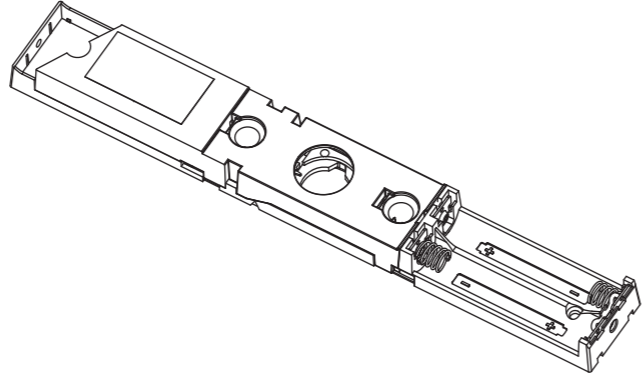
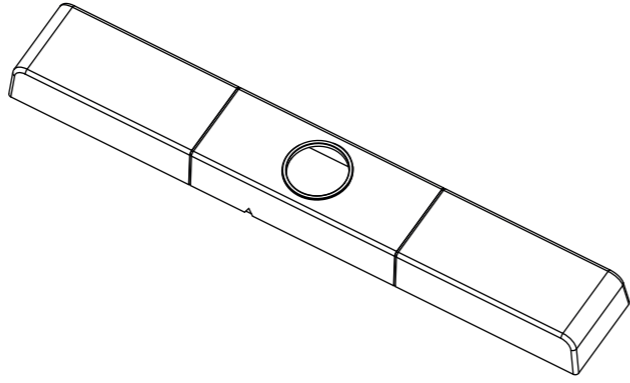
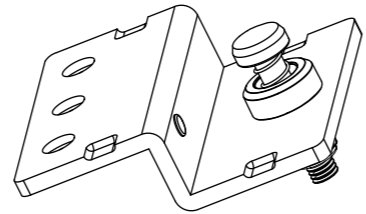

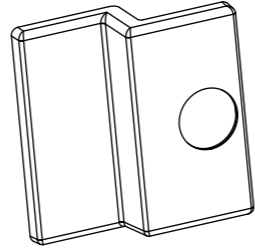
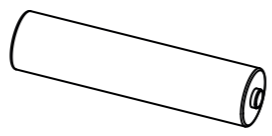
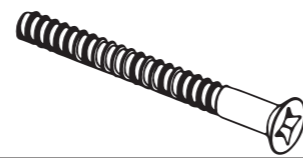



Lock on a inner door




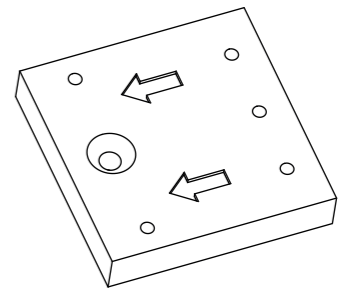

(Flush frame opening inwards)



Parts

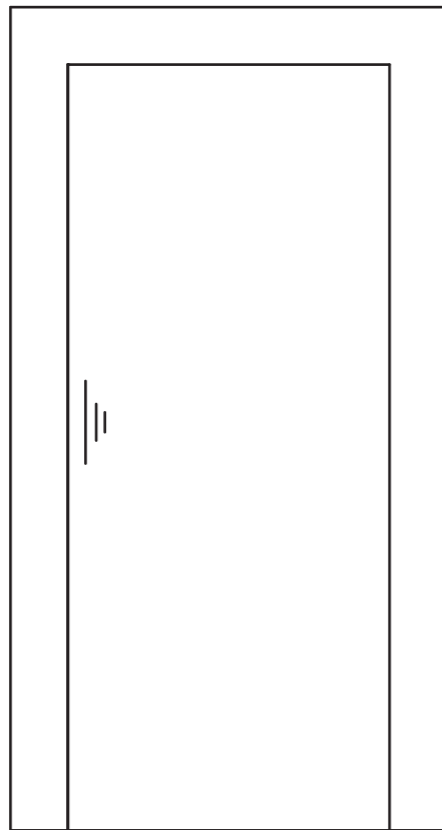
1X	Lock	
1X	Cover lock	
1X	Flush bracket	
1X	Nut cover	
1X	Cover bracket	
2X	AAA battery	
5X	M5 screw	
1X	M2 screw	

Tools

Drillingmachine	
Screwdriver	
Ø3 mm drill	
Assisting tool	
M5 screw (Mounting assisting tool)	

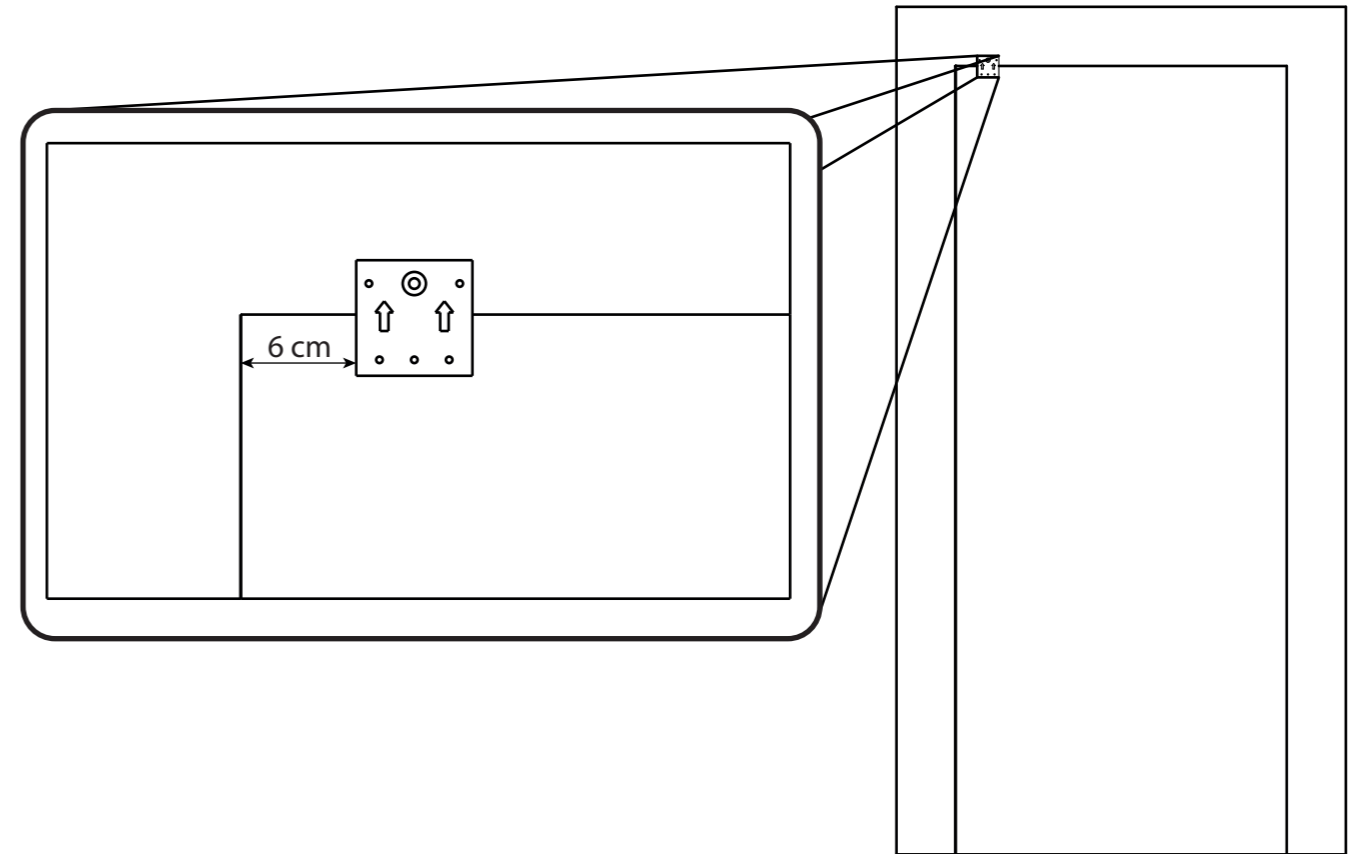
1

Close the door



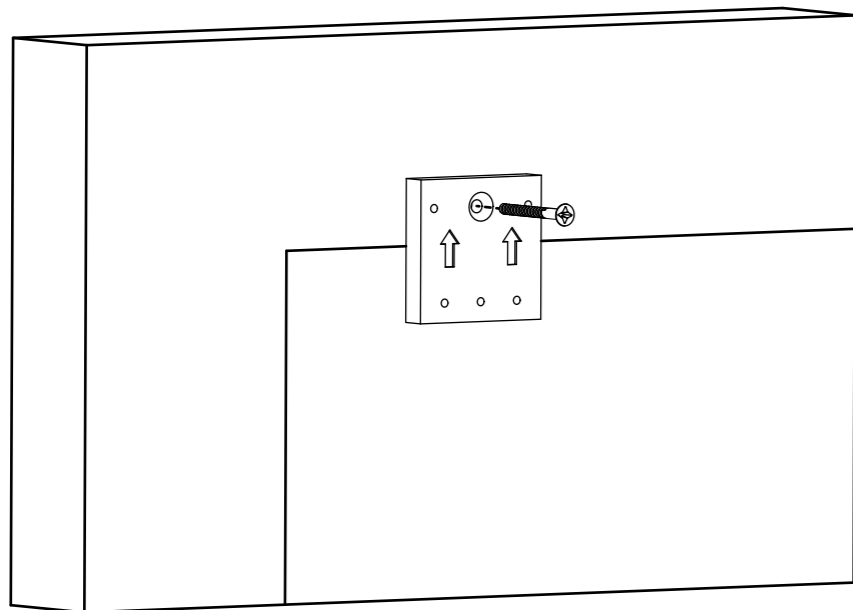
2

Place the assisting tool in the corner of the door (inwards opening direction)



3

Mount the assisting tool with a M5 screw



Attention!

Make sure the assisting tool is pressed into the gap between door and door frame and press it in the arrow direction

Use:

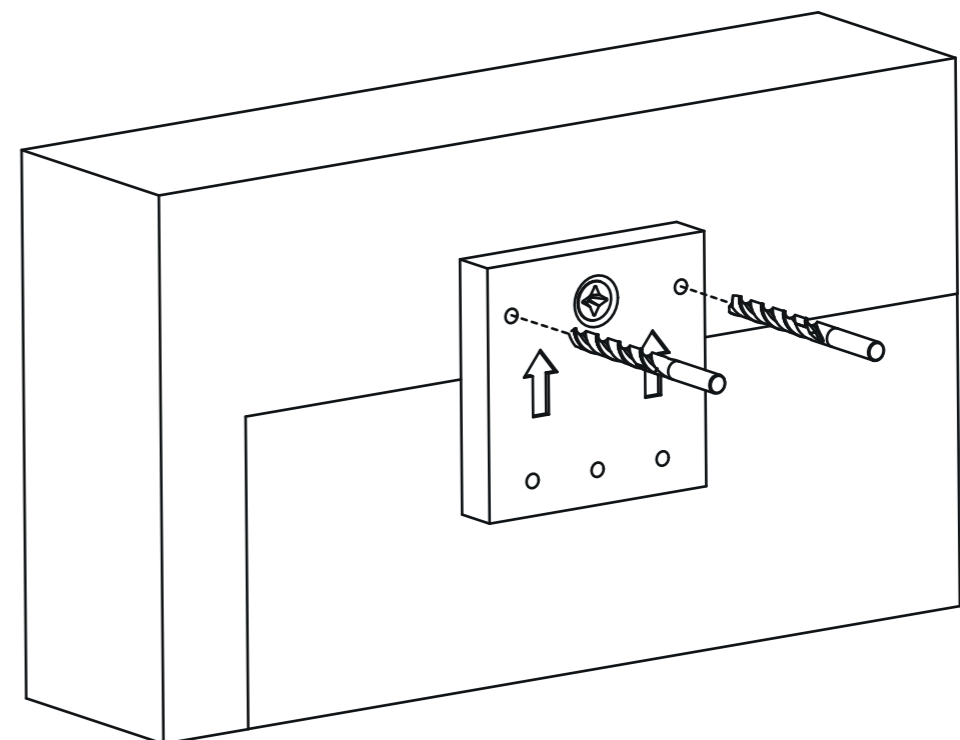


M5



4

Drill two holes in the door frame



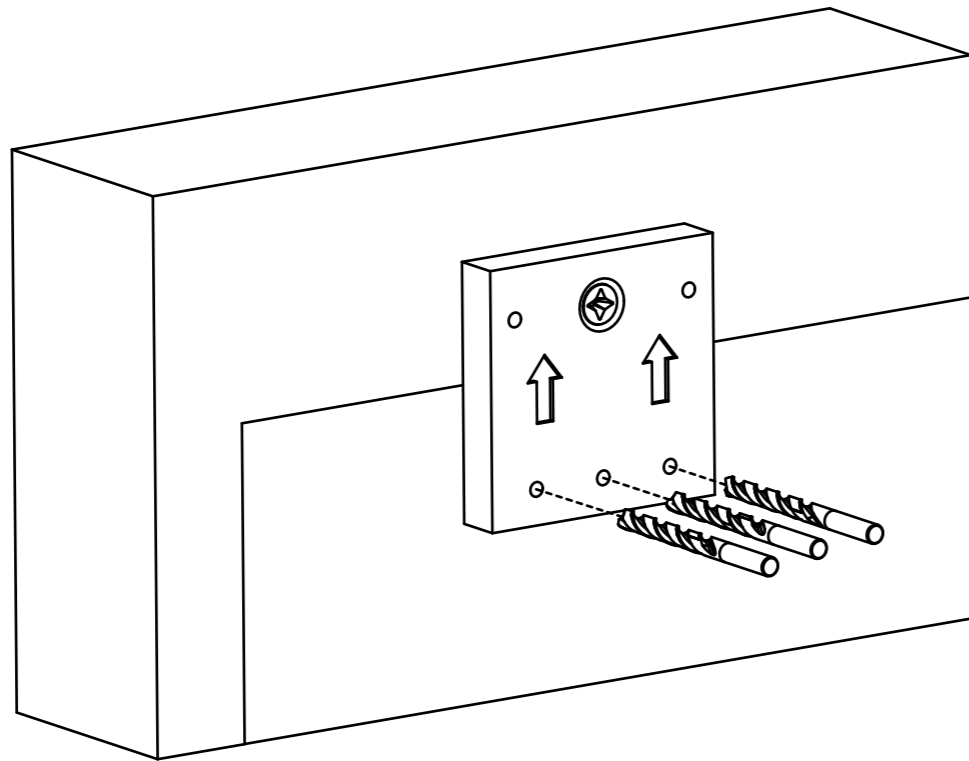
Use:

Ø3



5

Drill three holes in the door

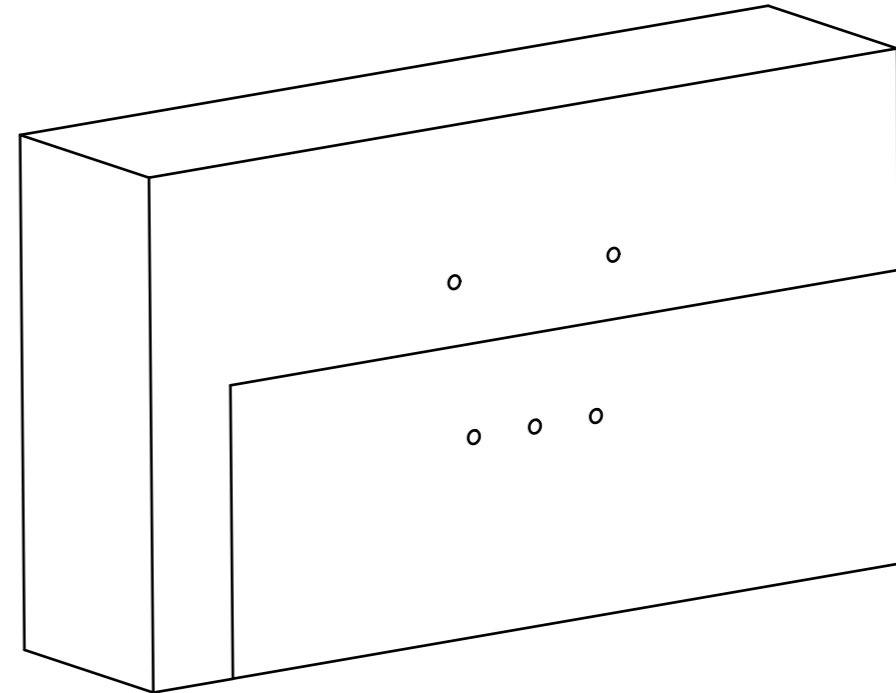


Use:



6

Remove the assisting tool. You should now have drilled five holes

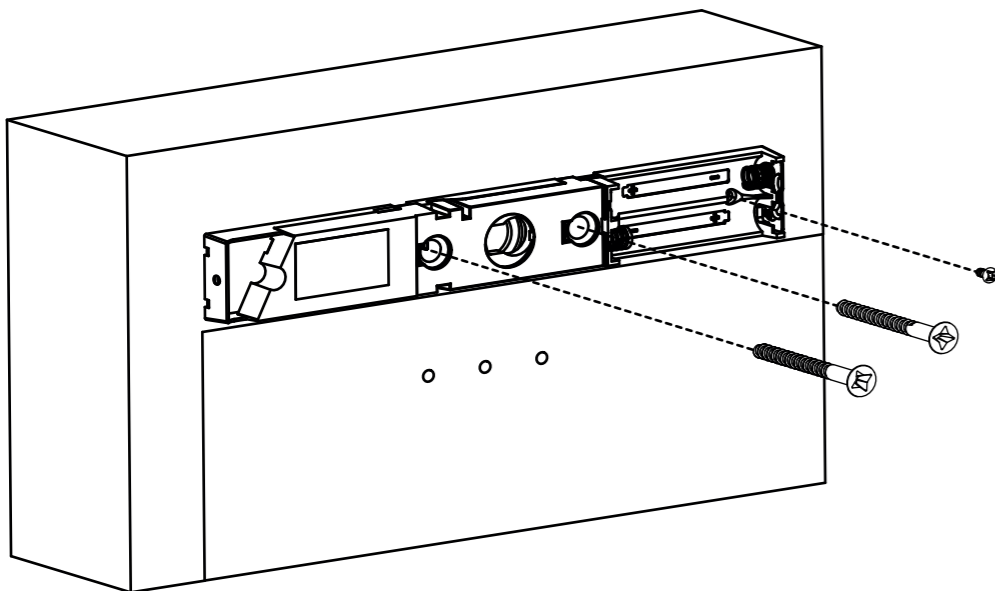


Use:

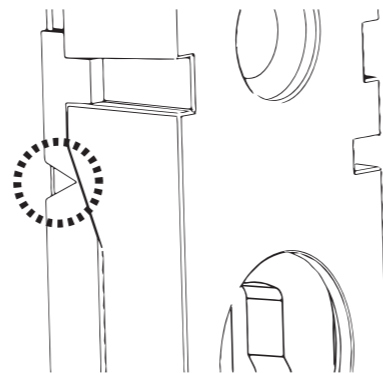


7

Screw the lock onto the door frame



ATTENTION!



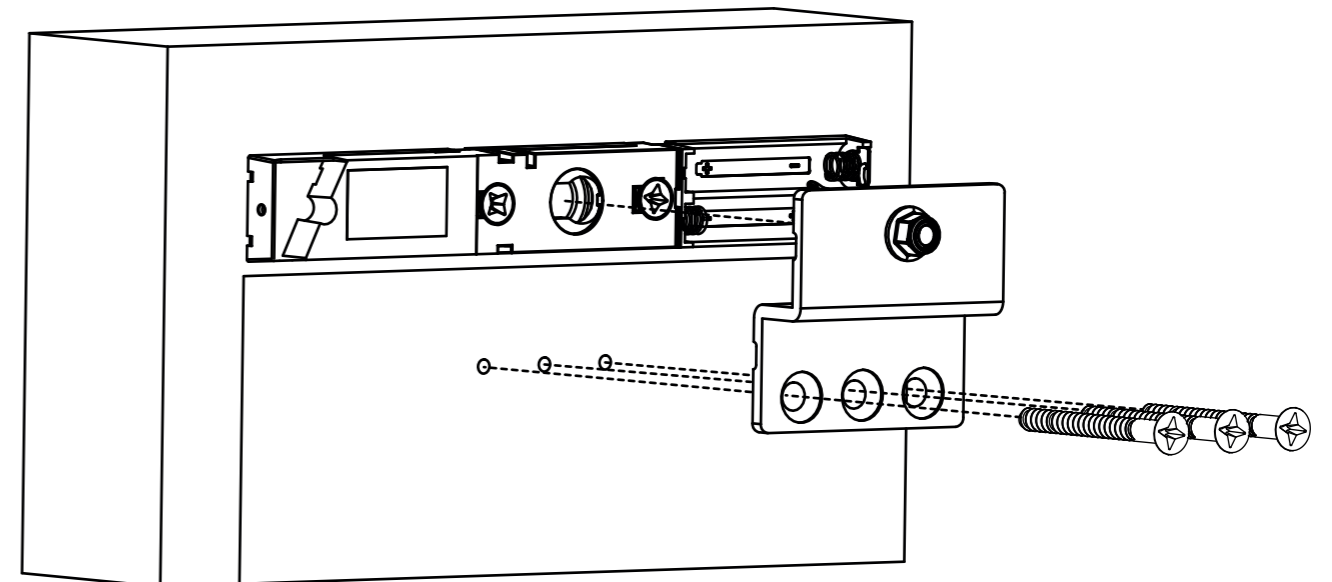
Make sure the small triangle on the lock is facing against the door

Use:



8

Mount the flush bracket on the door

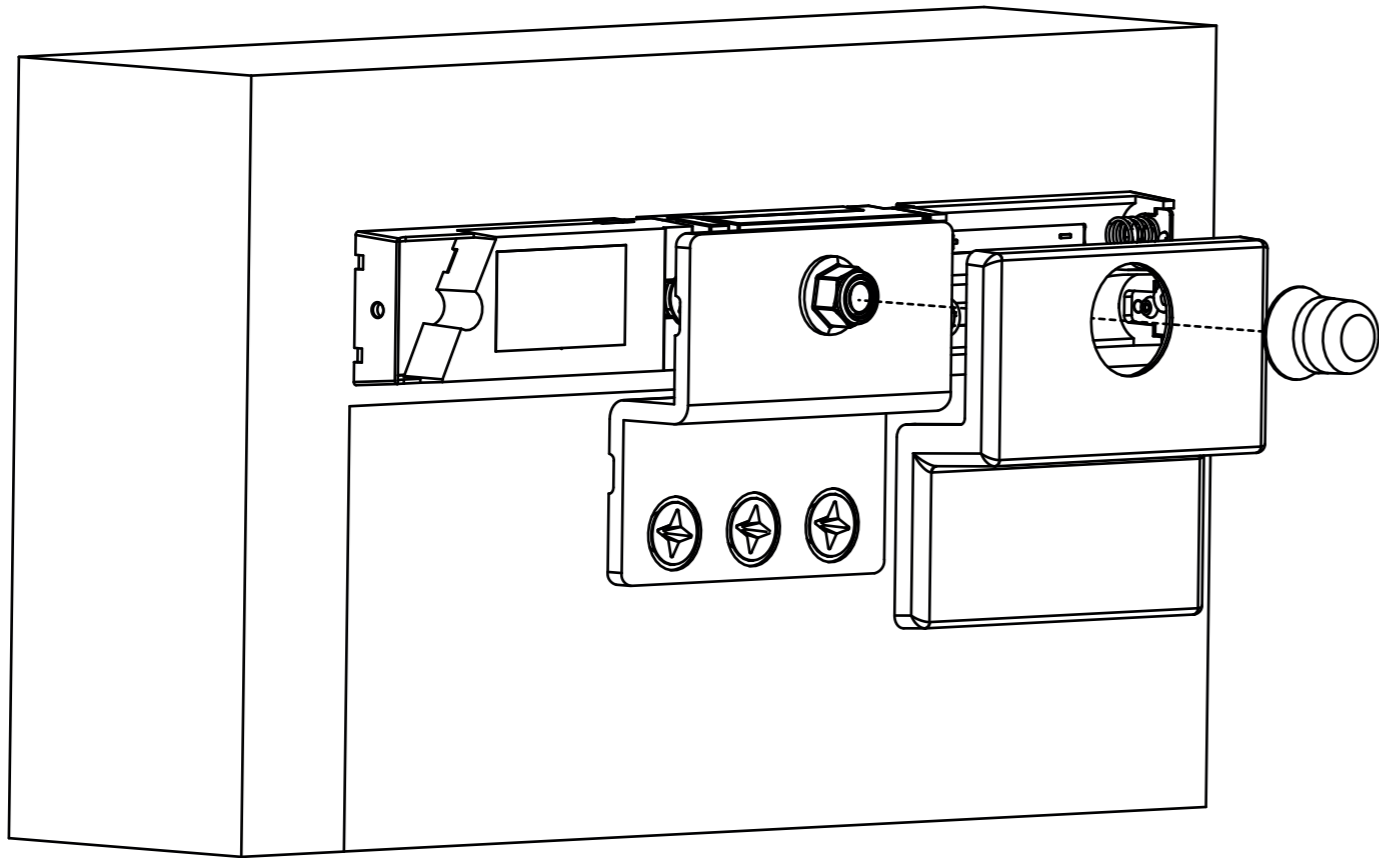


Use:



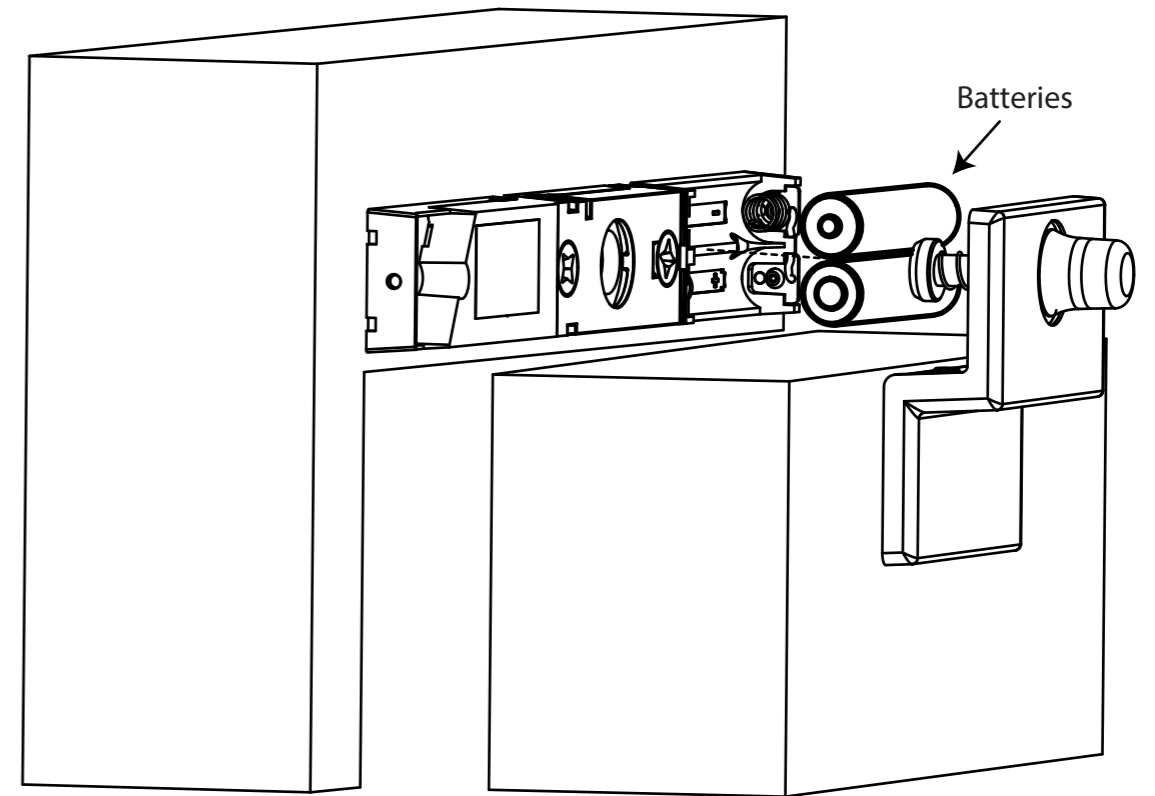
9

Mount the flush bracket cover and nut cover



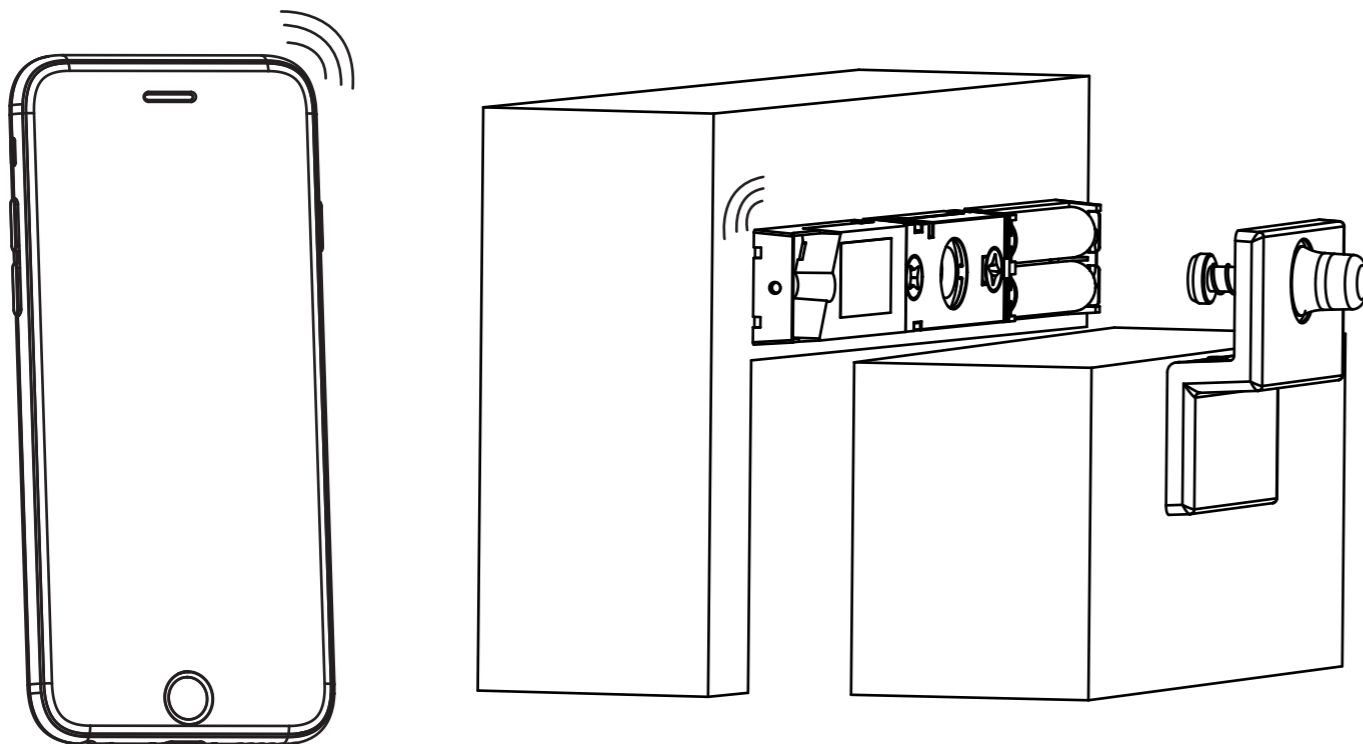
10

Open the door and place the batteries



11

Pair the lock with your smartphone



12

Mount cover and close the door

