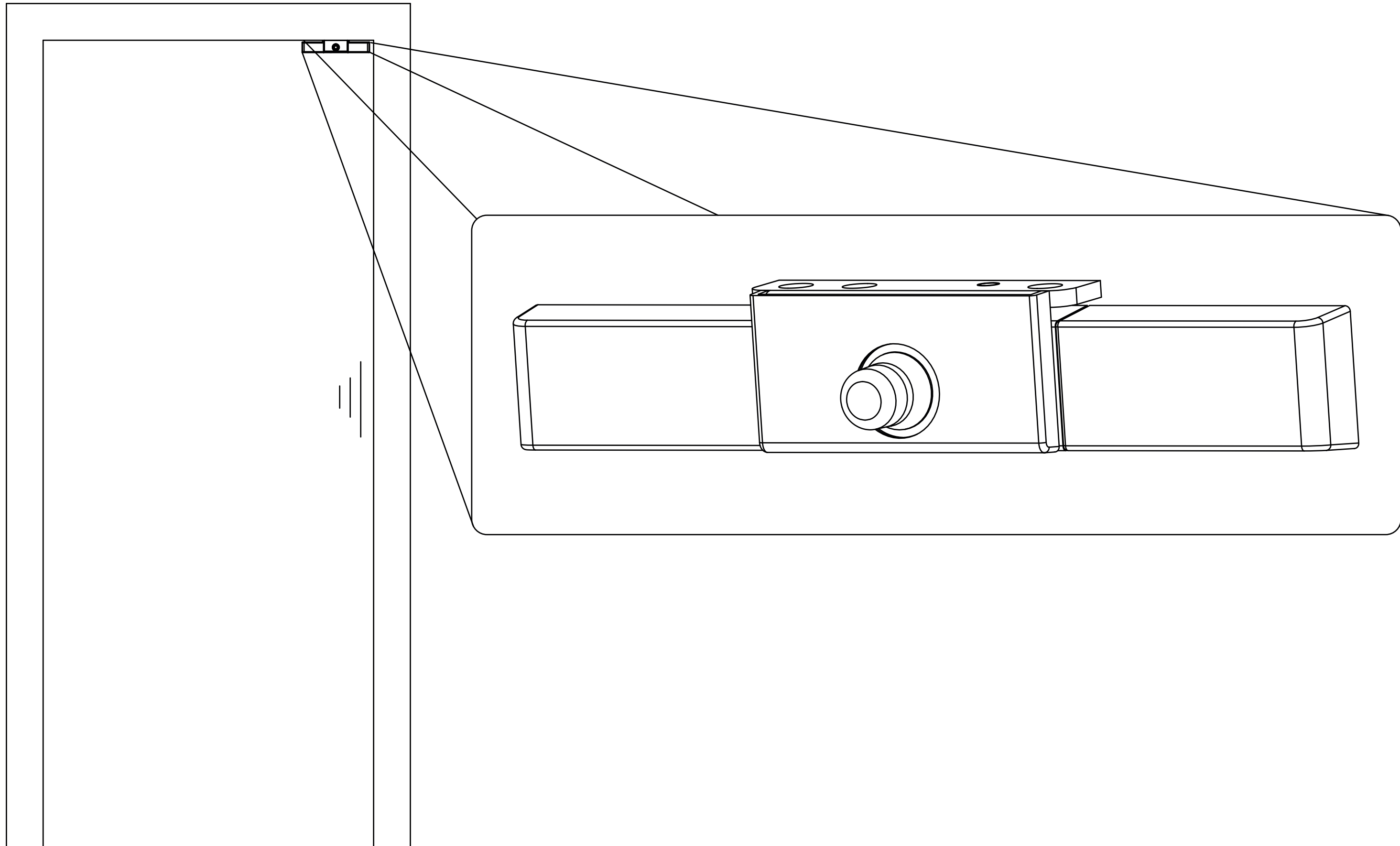
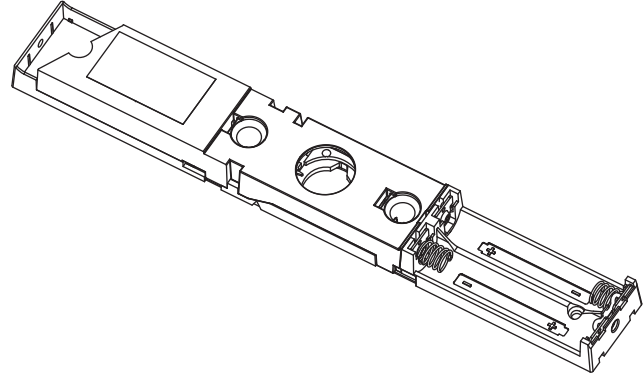
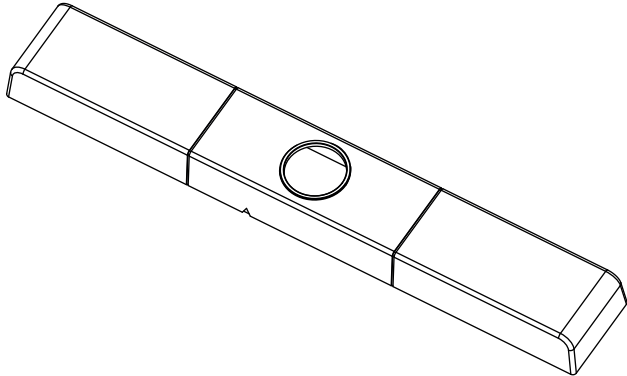
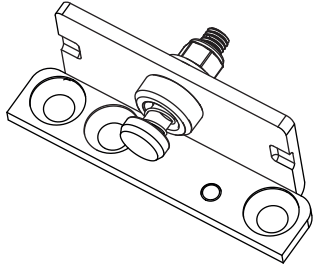
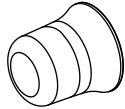
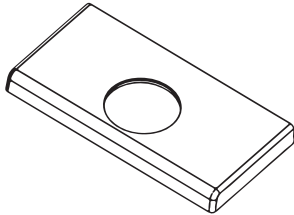
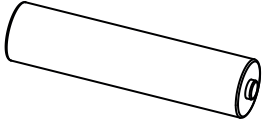
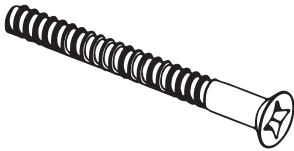



# Lock on a inner-door




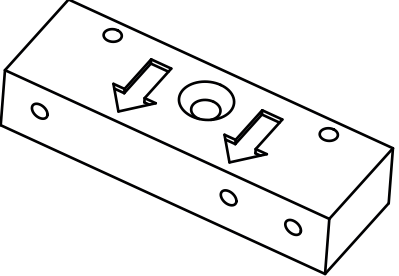

(Angle frame opening outwards)



# Parts

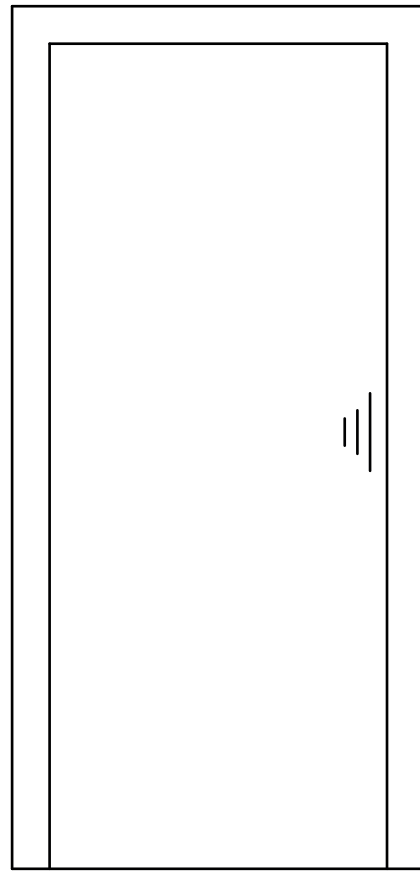
1X	Lock	
1X	Cover lock	
1X	Angle bracket	
1X	Nut cover	
1X	Cover bracket	
2X	AAA battery	
5X	M5 screw	
1X	M2 screw	

# Tools

Drillingmachine	
Screwdriver	
Ø3 mm drill	
Assisting tool	
M5 screw (Mounting assisting tool)	

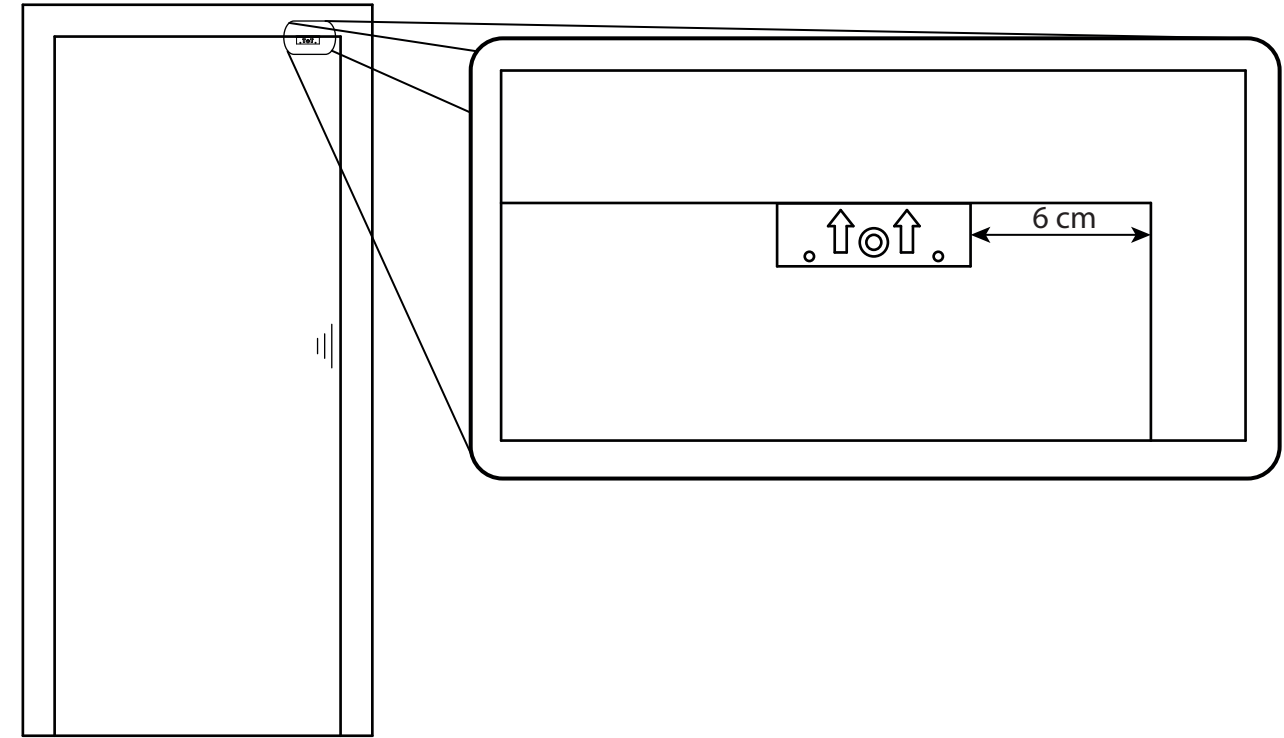
1

Close the door



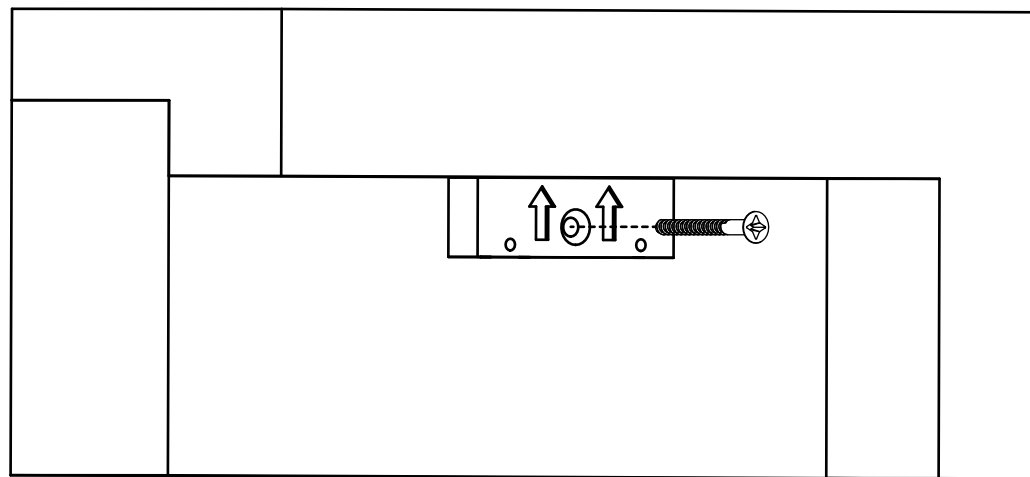
2

Place the assisting tool at the corner of the door (opposite side of opening direction)



3

Mount the assisting tool with a M5 screw



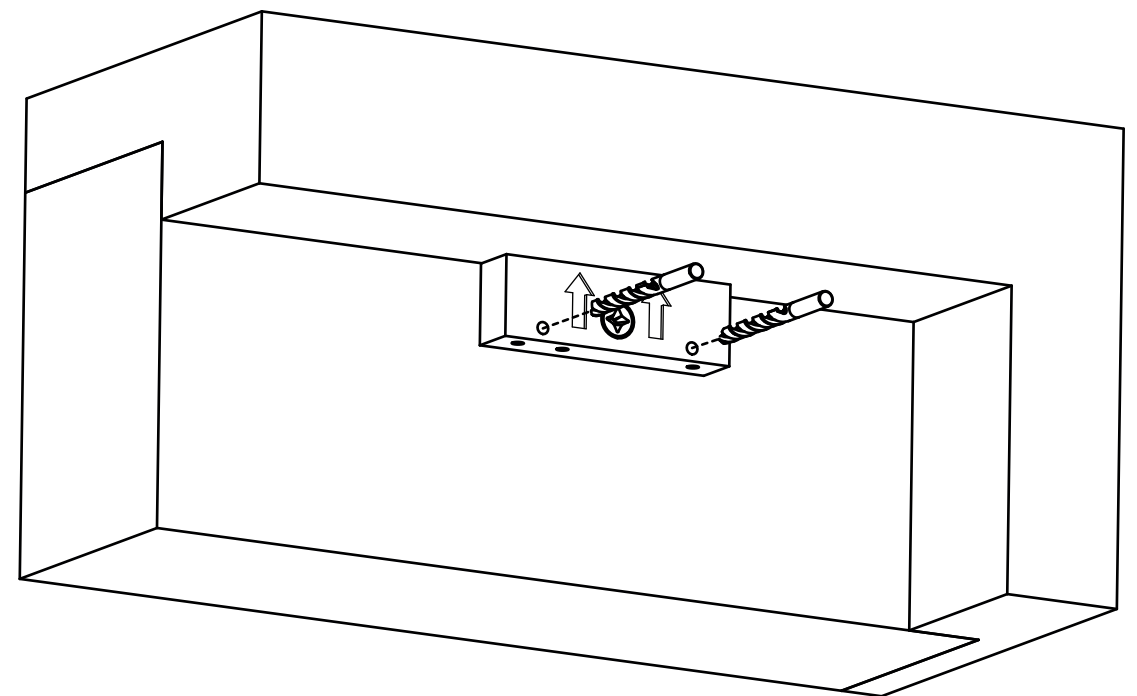
**Attention!** Make sure the assisting tool is pressed in the arrow direction

Use:



4

Drill two holes in the door frame

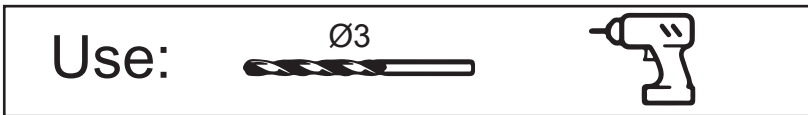
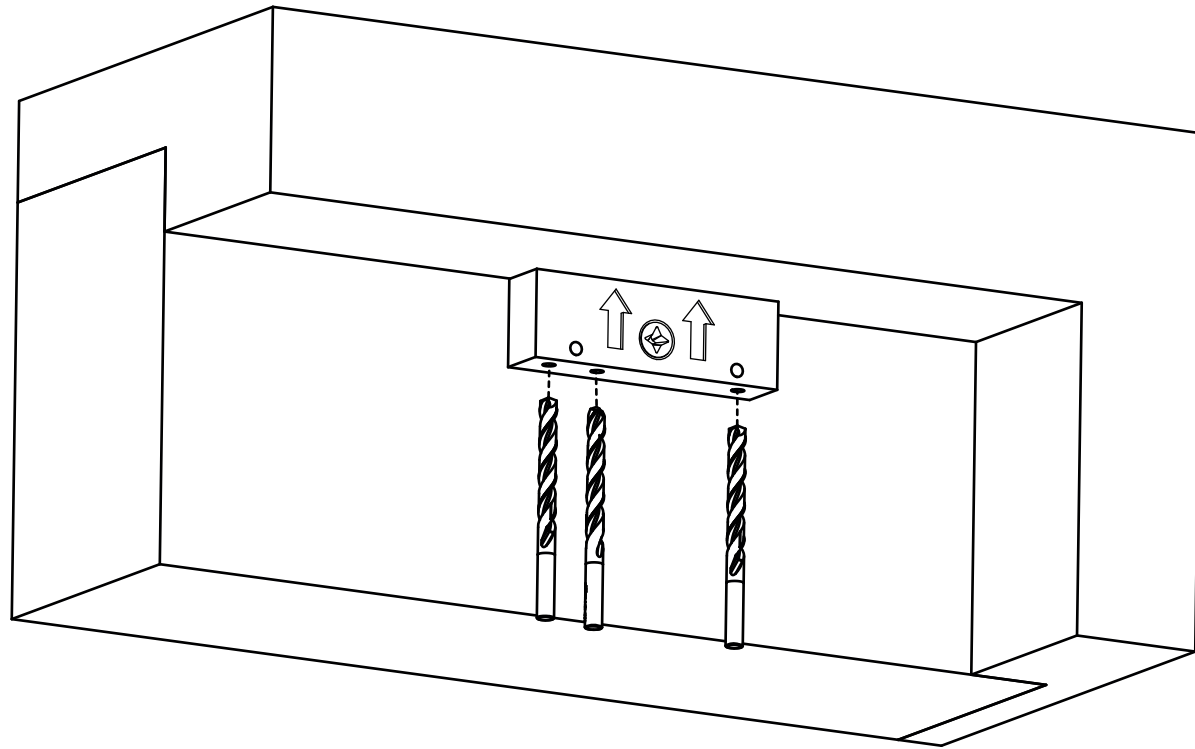


Use:



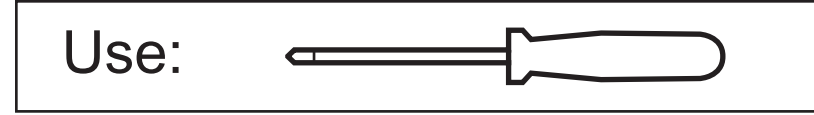
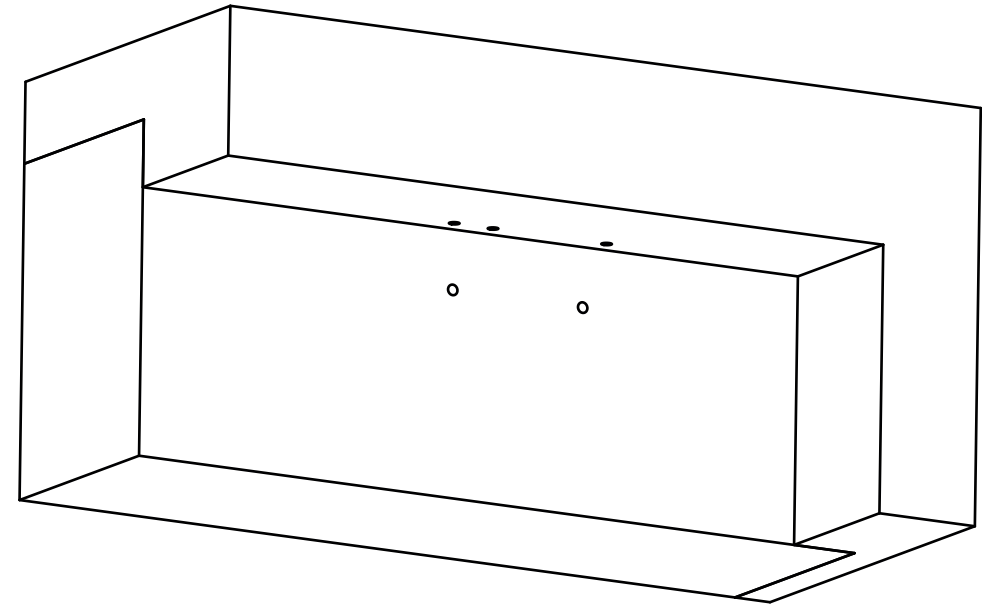
5

Drill three holes in the door frame



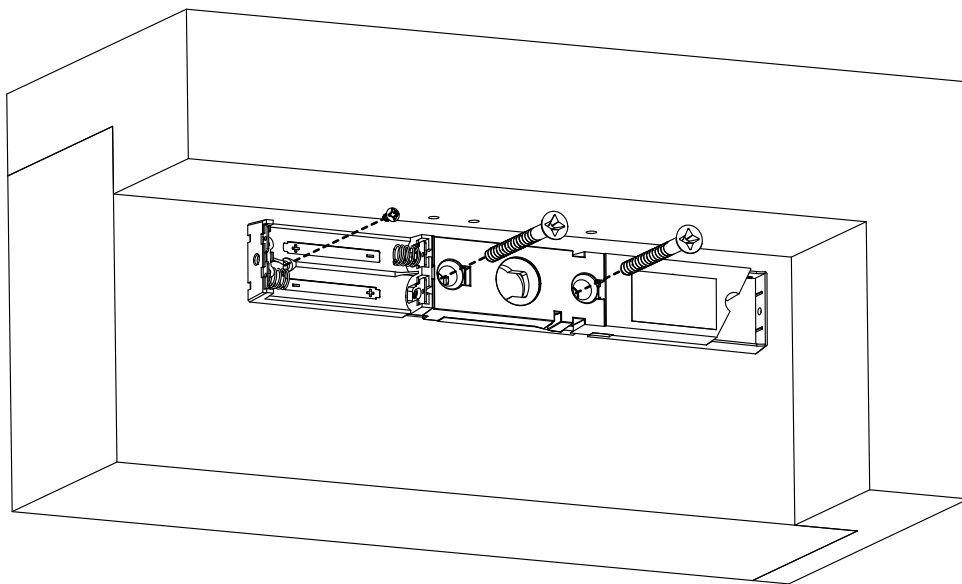
6

Remove the assisting tool. You should now have drilled five holes

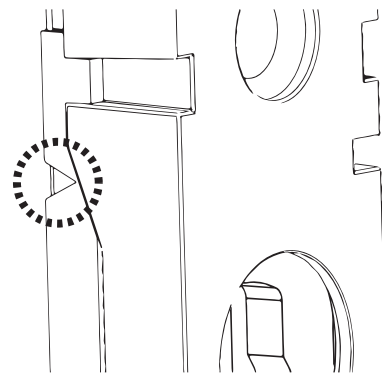


7

Screw the lock onto the door



**ATTENTION!**

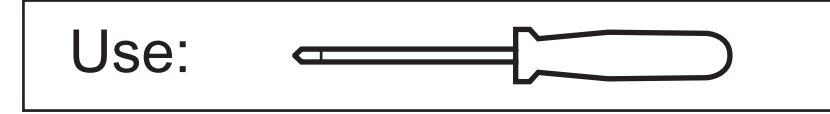
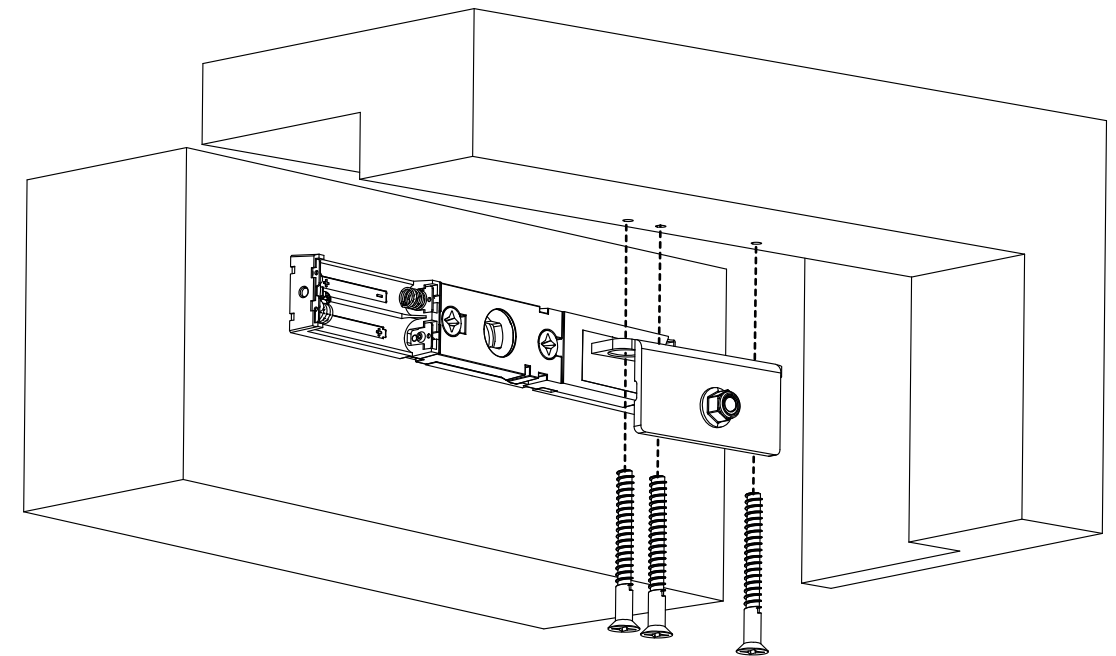


Make sure the small triangle on the lock is facing against the door frame



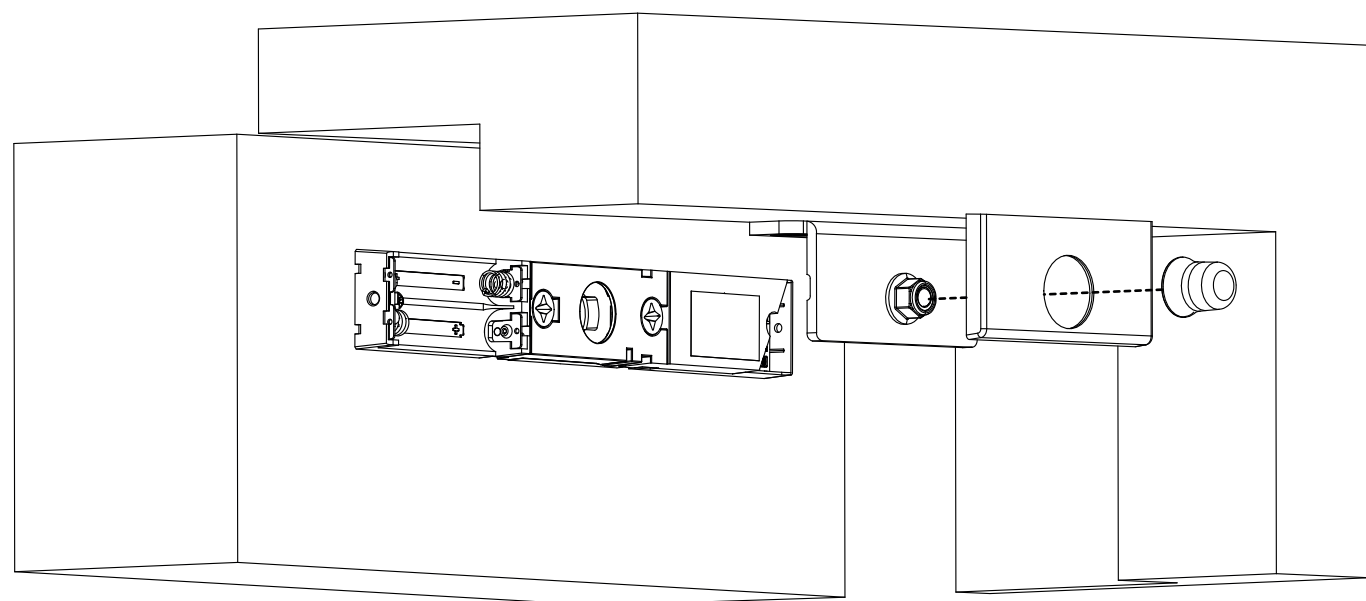
8

Open the door and mount the angle bracket on the door frame



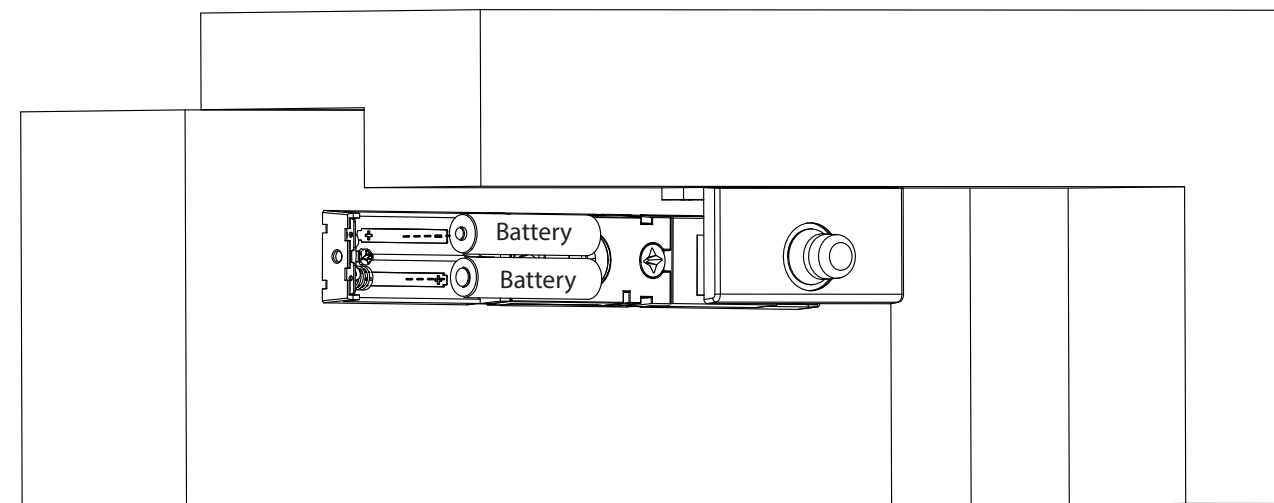
9

Mount the angle bracket cover and nut cover



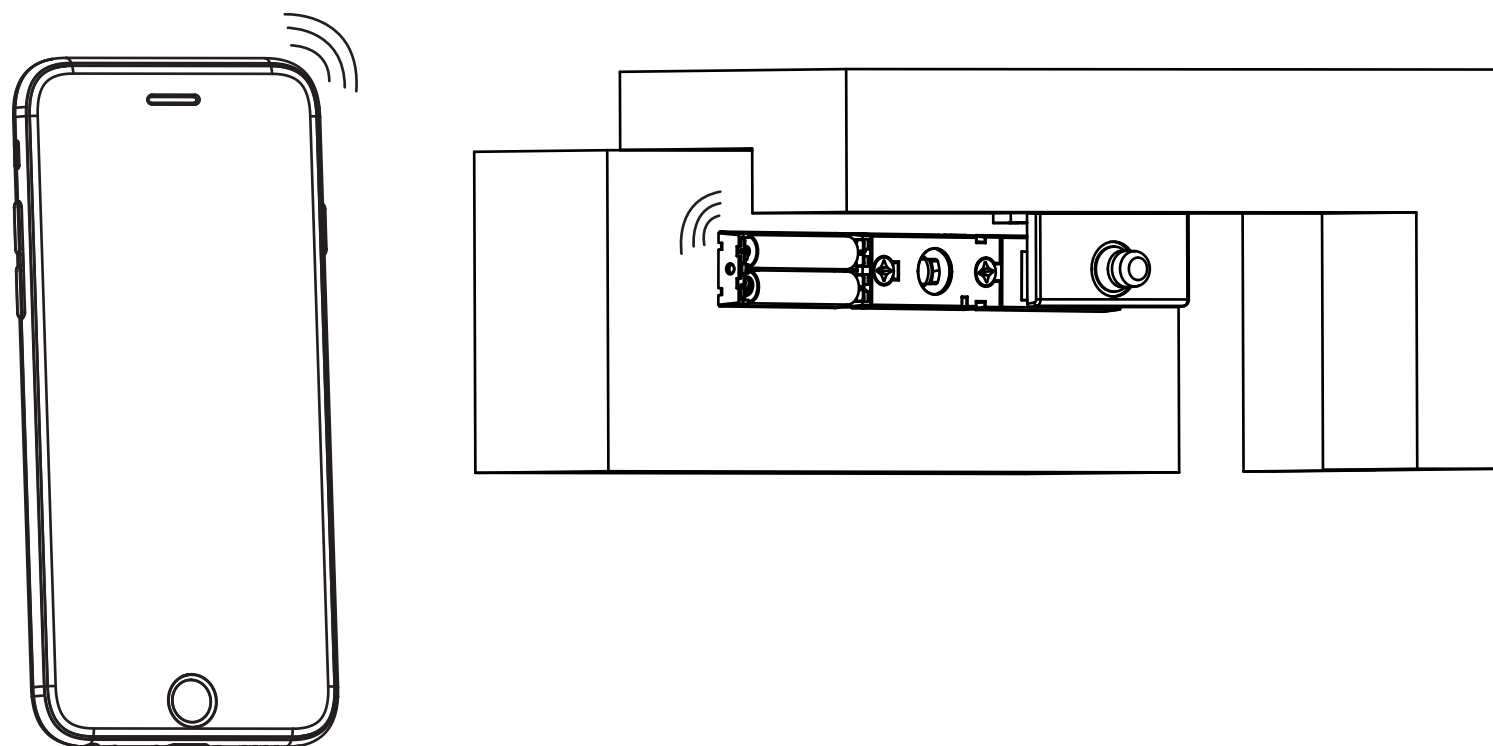
10

Place the batteries



11

Pair the lock with your smartphone



12

Mount cover and close the door

